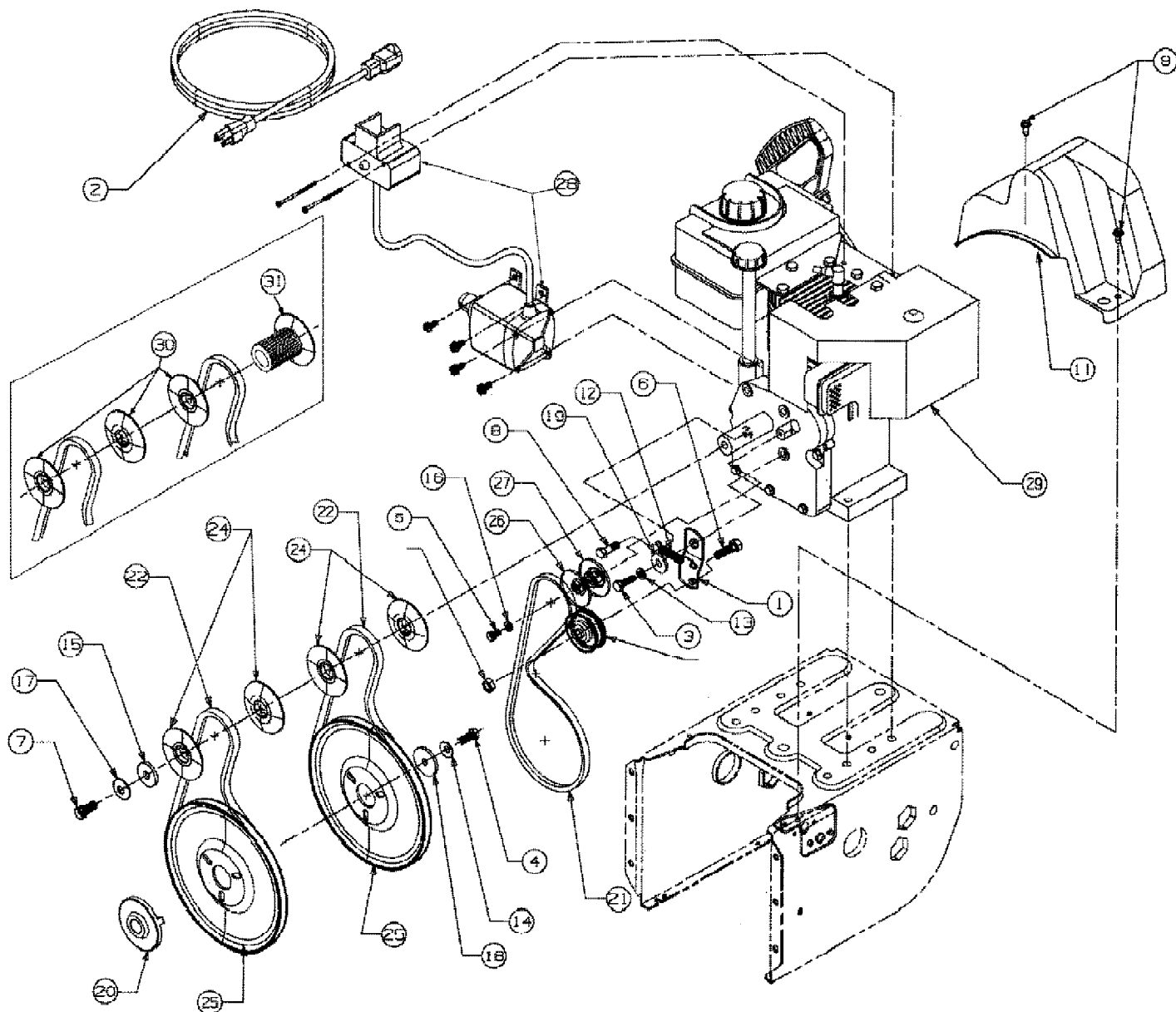


317E633E190 Snow Boss 750 (1997)
Axle, Bearing Ass'y And Frame Ass'y

Page 2 of 13

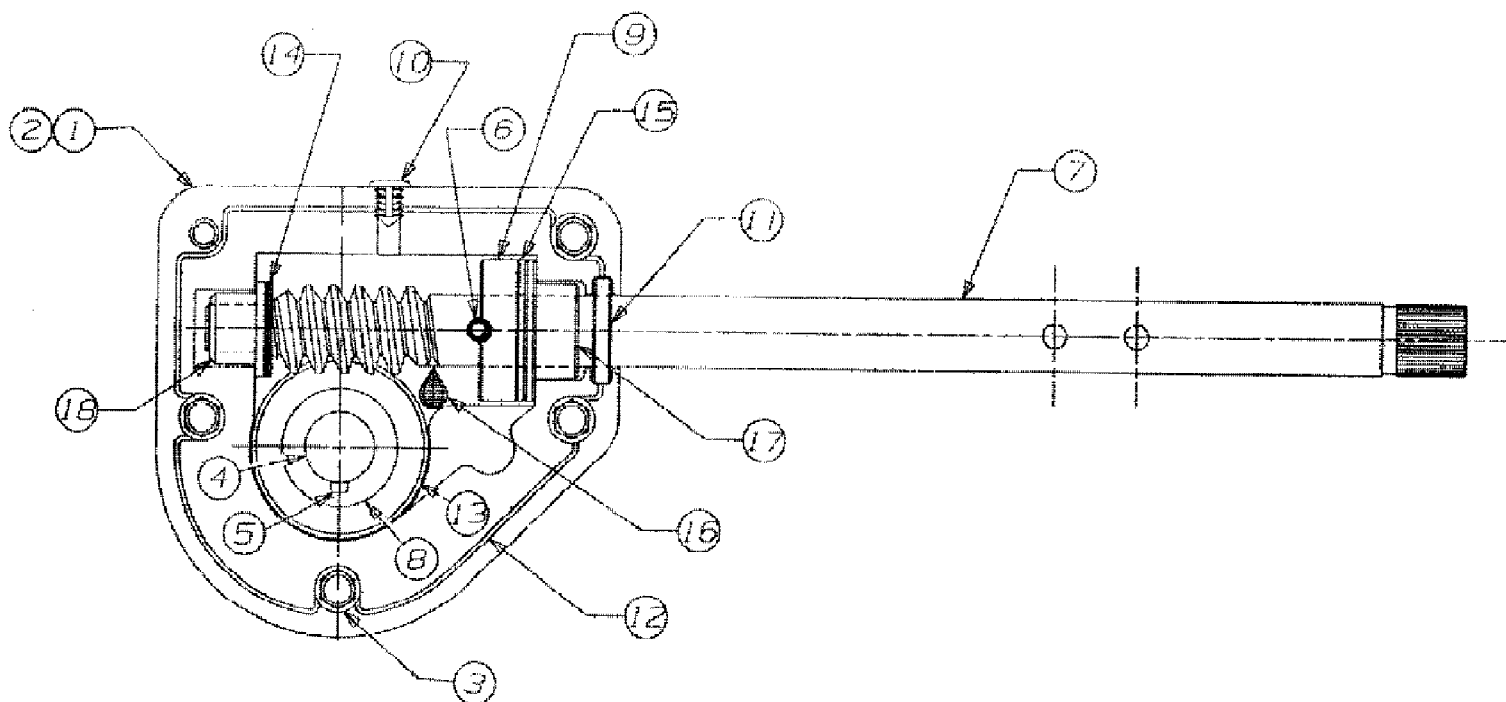
Ref #	Part Number	Qty	S/P/F	Description
1	618-0063	1		Bearing Ass'y.
2	656-0012A	1	S	Ass'y., Friction Wheel Disc
3	684-0013	1		Rod Shift, Wheel Drive
4	684-0021	1	S	Brkt. Ass'y. Friction Wheel
5	684-0030-0662	1		Frame Ass'y., 600 S/T
6	684-0042A	1	S	Wheel Friction
7	710-0654A	4	/P	Hex Self-Tap Screw
8	710-0538	2	/P	Hex, Bolt 5/16-18 x .62
9	710-0599	2	/P	Scr., Hex Wash. Hd., TT 1/4-20 x .5"
10	710-0896	12	/P	Hex Self-Tap Scr.
11	710-0788	2	/P	Screw, Hex
13	712-0711	1	/P	Nut, Hex
14	714-0126	1	S	Key
15	714-0143	2	S	Pin, Klick
16	714-0474	1	S	Pin, Cotter
17	715-0249	2	S	Pin, Roll
19	717-1445	1		Gear
20	717-1444	1	S	Shaft, Hex
21	732-0264	1	S	Extension Spring
22	736-0105	2	/P	Washer, Bell
23	736-0160	1	S	Flat Washer
24	736-0188	4	/P	Washer, Flat
25	736-0242	2	/P	Washer, Bell
30		1		Lubricant
31	738-0869	1	F	Axle
31	738-0830	1	F	Axle
32	738-0924	3	S	Screw, Shoulder
33	741-0563	2	S	Bearing, Ball
34	741-0598	2	S	Flange Bearing
35	746-0897	1	S	Cable, Auger
36	746-0898	1	S	Cable, Clutch
37	748-0190	1	/P	Spacer
38	756-0625	3		Roller, Cable
39	784-5590	1		Frame, Shift Bracket
40	784-5638-0662	1	S	Cover, Frame
41	784-5688	1	S	Bracket, Drive Cable Roller
42	784-5687	1	S	Brkt., Auger Clutch Cable Guide
43	784-5689	1	S	Brkt., Front Support Guide
44	710-0599	6	/P	Hex Wash Hd. TT-Tap Scr. 1/4-20 x .5" Lg.
45	784-5617	1		Friction Plate
46	718-0301A	1	S	Friction Wheel Hub
47	735-0243	1	S	Friction Wheel Rubber



317E633E190 Snow Boss 750 (1997)
Belts And Pulleys

Page 4 of 13

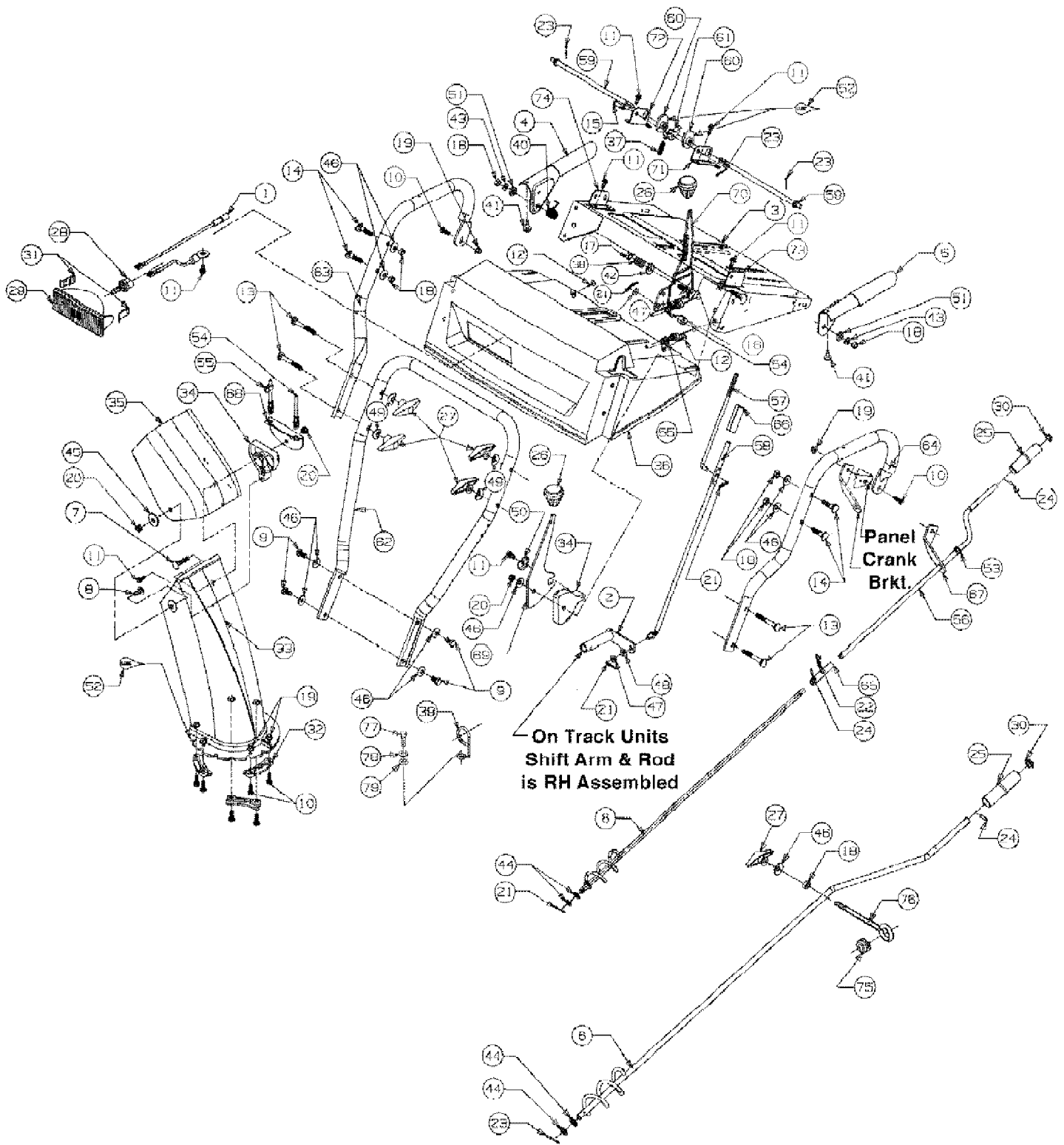
Ref #	Part Number	Qty	S/P/F	Description
1	05896A	1		Bracket
2	629-0071	1	S	Cord, Extension
3	710-0117	1	S	Screw
4	710-0157	1	/P	Screw
5	710-0230	1	/P	Screw
6	710-0342	1	S	Screw
7	710-0696	1	/P	Screw
8	710-0888	1	/P	Screw
9	710-0896	2	/P	Screw
?10	712-0181	1	S	Nut, Hex
11	731-1324	1		Belt Cover
12	732-0710	1	S	Spring
13	736-0119	1	S	Washer-Flat
14	736-0242	1	/P	Washer-Bell
15	736-0247	1	/P	Washer-Flat
16	736-0329	1	S	Washer-Lock
17	736-0331	1	/P	Washer-Bell
18	736-0505	1		Washer-Flat
19	748-0234	1	/P	Shoulder Spacer
20	748-0360	1	S	Pulley, Adapter
21	754-0346	1	S	V-Belt
22	754-0430	2	S	V-Belt Matched
?23	756-0313	1	/P	Idler, Flat
24	756-0569	4		Pulley, Half (653 and 663)
25	756-0967	2		Pulley-Auger
26	756-0986	1		Pulley Half
27	756-0987	1	S	Pulley Half
28	390-985	1		Starter (633)
	390-987	1		Starter (653 and 663)
29		1		Engine
30	756-0620	3		Pulley, Half (633)
31	756-0621	1	S	Pulley, Half (633)



317E633E190 Snow Boss 750 (1997)
Gear And Housing Ass'y

Page 6 of 13

Ref #	Part Number	Qty	S/P/F	Description
1	618-0123	1	S	Housing - R.H.
2	618-0124	1	S	Housing - L.H.
3	710-0642	5	/P	Screw
4	711-1024	1	S	Axle, Spiral 30" (663)
	711-0909	1	S	Axle, Spiral 26" (653)
	711-0908	1	S	Axle, Spiral 24" (633)
	711-1020	1	S	Axle, Spiral 22" (623)
5	714-0161	1	S	Key, Hi-Pro
6	715-0143	1	S	Pin, Spiral
7	717-0526	1		Worm, Shaft
8	717-0528	1	S	Gear, Worm
9	718-0186	1		Collar, Thrust
10	721-0325	1		Plug
11	721-0327	1		Seal, Oil
12	721-0328	.45		Loctite 5699
13	736-0351	2	S	Washer-Flat
14	736-0369	4	S	Washer-Flat
15	736-0445	1	S	Washer-Flat
16	737-0168	1	S	Grease
17	741-0662	1		Bearing Flange
18	748-0663	1		Bearing Flange



317E633E190 Snow Boss 750 (1997)
Handle Ass'y And Panel Ass'y

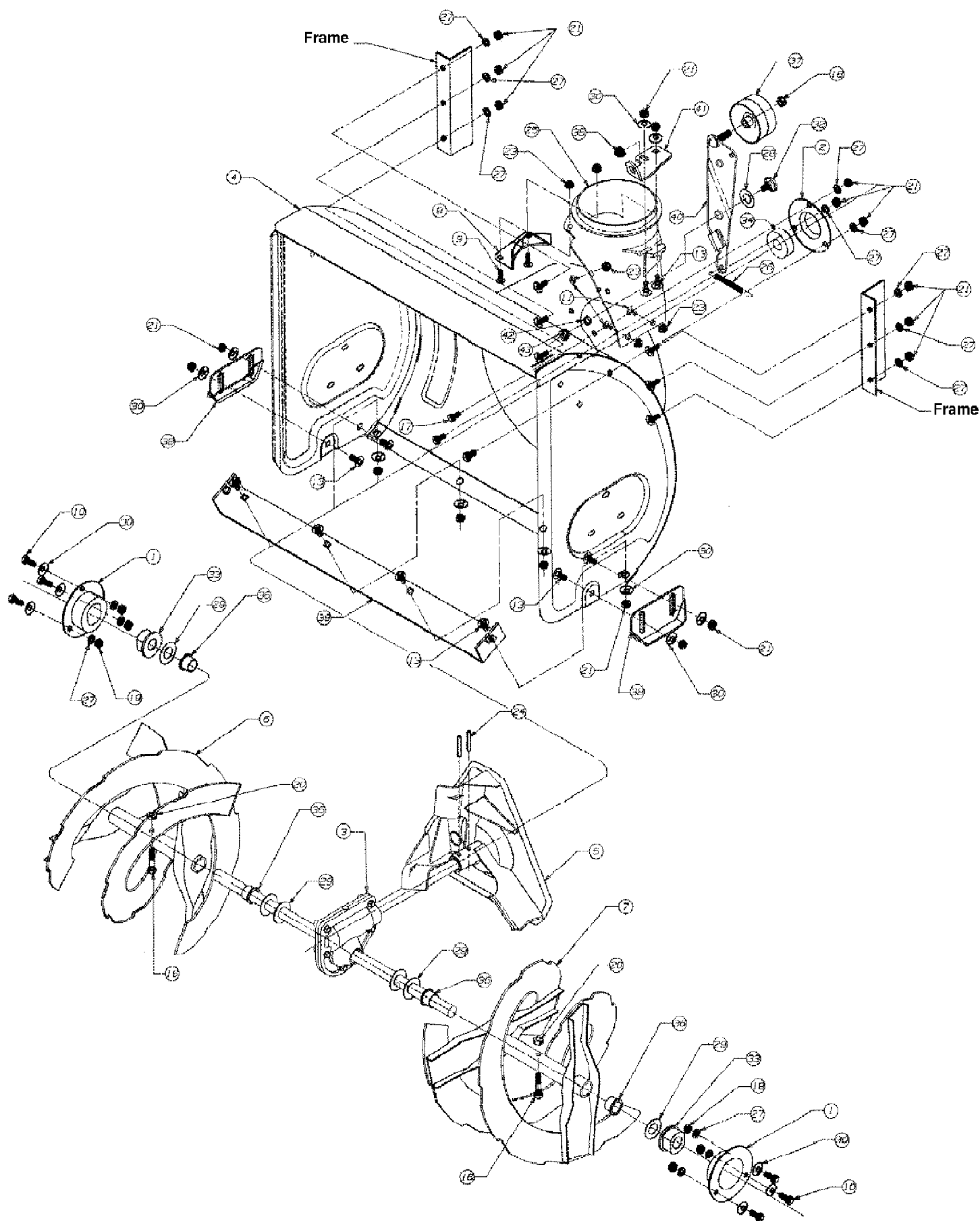
Page 8 of 13

Ref #	Part Number	Qty	S/P/F	Description
1	629-0059	1	S	Harness-Light
2	684-0008-0662	1		Arm-Shift
3	684-0032A	1		Panel Ass'y. - Handle w/Tilt
4	684-0036	1	S	Handle-Engagement - R.H.
5	684-0037	1	S	Handle-Engagement - L.H.
6	684-0022	1	S	Crank-Chute (623)
	684-0053	1	S/F	Crank-Chute
7	710-0262	1	/P	Bolt-Carriage
8	710-0451	1	/P	Bolt-Carriage
9	710-0118	4	S	Screw-Hex
10	710-3015	8	/P	Screw-Hex
11	710-0896	7	/P	Screw-Washer Head-Hex
12	710-1003	2	/P	Screw-Hex
13	710-1178	4	/P	Bolt-Carriage
14	710-1250	4	/P	Bolt-Carriage
15	711-0653	1	/P	Pin-Clevis
16	711-0677	1	S	Ferrule
17	712-0116	1	S	Nut-Hex Lock
18	712-0267	6	S	Nut-Hex
19	712-3027	8	S	Nut-Hex Lock
20	712-3068	3	S	Nut-Hex Lock
21	714-0104	3	S	Pin-Cotter Internal
22	714-0145	1	S/F	Pin-Cotter
23	714-0507	3	S	Pin-Cotter
24	715-0138	2	S	Pin-Roll
25	720-0201A	1	/P	Knob-Chute Crank
26	720-0232	2	S	Knob-Shift
27	720-0284	4	S	Knob-Wing Nut
28	725-1658	1	S	Lamp
29	725-1672	1	S	Housing-Lamp
30	726-0100	1	S	Cap-Push
31	726-0321A	2	S	Clip-Retaining
32	731-0851A	3	/P	Keeper-Chute
33	731-1300A	1	S	Chute-Lower
34	731-1313	2	S	Guide-Cable
35	731-1320	1	S	Chute-Upper
36	731-1737	1	S	Panel-Handle
37	732-0145	1	/P	Spring
38	732-0193	1	/P	Spring
?39	732-0705	1		Wire-Control
40	732-0746	1		Spring
41	735-0199A	2	S	Bumper
42	736-0105	1	/P	Washer-Bell
43	736-0119	2	S	Washer-Lock
44	736-0140	2	S	Washer-Flat
45	736-0231	1	S	Washer
46	736-0242	9	/P	Washer-Bell
47	736-0264	2	S	Washer-Flat
48	736-0271	1	S	Washer-Lock
49	736-0451	4	S	Washer-Saddle
50	736-0506	1	S	Washer
51	736-0509	2		Washer
52	737-0133	1	S	Lubricant

317E633E190 Snow Boss 750 (1997)
Handle Ass'y And Panel Ass'y

Page 9 of 13

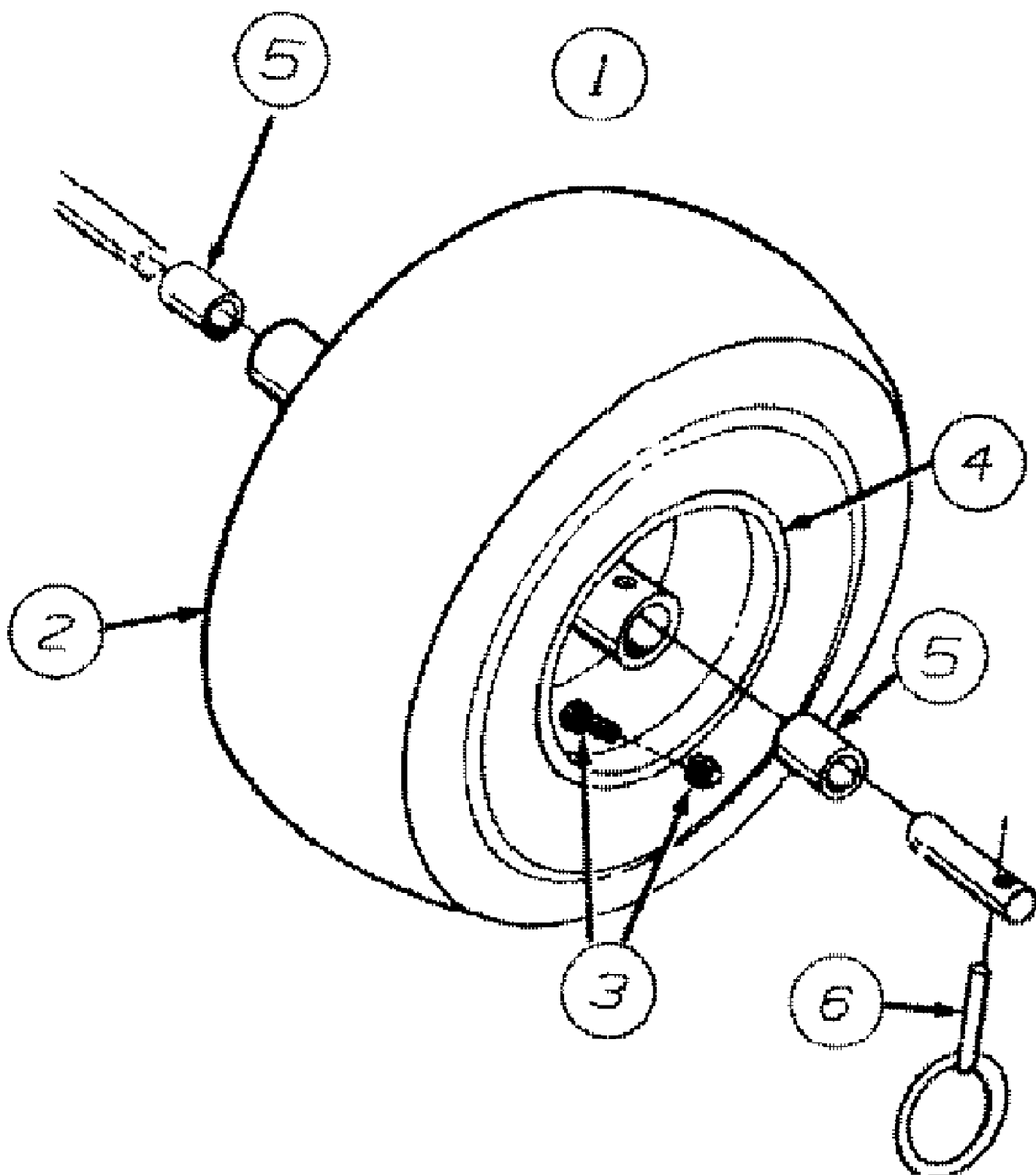
Ref #	Part Number	Qty	S/P/F	Description
53	741-0475	1	S/F	Bushing-Plastic
54	746-0896	1	S	Cable-Chute Control
55	746-0901	1	S	Cable-Chute Control
56	747-0618	1	S/F	Crank-Chute
57	747-0620A	1	/P	Rod-Shift Upper
58	747-0621	1		Rod-Shift Lower
59	747-0877	2		Rod-Cam
60	748-0362	2		Cam-Handle Lock
61	748-0363	1	S	Pawl-Handle Lock
62	749-0951-0637	1	S	Handle-Lower
63	749-0954-0637	1	/P	Handle - R.H.
64	749-0955-0637	1	/P	Handle - L.H.
65	750-0785	1	S/F	Spacer
66	750-0963	1	S	Connector
67	784-0309	1	S/F	Bracket
68	784-5594	1		Bracket-Cable
69	784-5604	1	S	Handle-Chute Tilt
70	784-5619	1	S	Handle-Shift
71	784-5679	1	S	Bracket-Handle Support - L.H.
72	784-5680	1	S	Bracket-Handle Support - R.H.
73	784-5681	1	/P	Bracket-Handle Support - L.H.
74	784-5682	1	S	Bracket-Handle Support - R.H.
75	735-0234	1		Grommet-Rubber (623)
76	747-0697	1	/P	Eyebolt-Chute (623)
77	710-0642	1	/P	Screw-Washer Head-Hex (623)
78	736-0329	1	S	Washer-Lock (623)
79	736-0463	1	S	Washer-Flat (623)
	777-4334	1		Label-Auger Housing (Snow Boss 550)
	777-4335	1		Label-Auger Housing (Snow Boss 750)
	777-4336	1		Label-Auger Housing (Snow Boss 950)
	777-3423	1		Label-Auger Housing (Snow Boss 1050)
	777-4345	1		Label-Handle Panel



317E633E190 Snow Boss 750 (1997)
Housing, Axle And Shaft

Page 11 of 13

Ref #	Part Number	Qty	S/P/F	Description
1	784-5618	2	S	Housing, Bearing
2	05931	1	S	Housing, Bearing
3	618-0152	1	S	Gear Assembly (623)
	618-0120	1	S	Gear Assembly (633)
	618-0121	1	S	Gear Assembly (653)
	618-0160	1	S	Gear Assembly (663)
4	684-0052-0662	1	S	22" Housing Assembly (623)
	684-0039A-0662	1	S	24" Housing Assembly (633)
	684-0040A-0662	1	S	26" Housing Assembly (653)
	684-0055-0662	1	S	30" Housing Assembly (663)
5	684-0065-0662	1	S	Impeller Assembly
6	605-5252-0662	1	S	Spiral, 22" R.H. (623)
	605-5188-0662	1	S	Spiral, 24" R.H. (633)
	605-5192-0662	1	S	Spiral, 26" R.H. (653)
	605-5248-0662	1		Spiral, 30" R.H. (663)
7	605-5253-0662	1	S	Spiral, 22" L.H. (623)
	605-5189-0662	1		Spiral, 24" L.H. (633)
	605-5193-0662	1	S	Spiral, 26" L.H. (653)
	605-5249-0662	1	S	Spiral, 30" L.H. (663)
8	705-5226	1		Reinforcement, Chute
9	710-0167	2	/P	Bolt, Carriage
10	710-0604	6	S	Screw, Hex
11	710-0167	3	/P	Screw, Carriage
13	710-0451	10	/P	Screw, Carriage
16	710-0890A	4	/P	Bolt, Shear
17		1		UNKNOWN
18	712-0116	6	S	Hex Lock Nut
19		1		UNKNOWN
20	712-0429	4	S	Nut, Hex Lock
21	712-0267	19	S	Nut, Hex
23	712-3027	5	S	Nut, Lock, Hex, Flanged
24	715-0114	2	S	Spring Pin
25	731-1379	1	S	Adapter, Chute
26	732-0611	1	S	Spring
27	736-0119	15	S	Lock Washer
28	736-0167	1	S	Washer, Flat
29	736-0188	6	/P	Washer, Flat, .76 I.D. x 1.49 O.D. x .06
30	736-0242	16	/P	Washer, Bell
32	738-0281	1	S	Screw, Shoulder
33	741-0245	2	S	Bearing, Flange
34	741-0309	1	S	Bearing, Ball
35	741-0475	1	S	Bushing, Plastic
36	741-0493A	4	/P	Bushing, Flange
37	756-0178	1		Idler, Flat
38	784-5580-0662	2	S	Shoe, Slide
39	784-5576-0662	1		22" Shave Plate (623)
	784-5581A-0662	1	S	24" Shave Plate (633)
	784-5579A-0662	1		26" Shave Plate (653)
	784-5575-0662	1		30" Shave Plate (663)
40	684-0064	1	S	Arm, Auger Idler
41	784-5647	1	S	Bracket, Chute Crank
42	736-0169	1	S	Lock Washer
43	712-0798	1	/P	Hex Nut



317E633E190 Snow Boss 750 (1997)
Wheel Assembly

Page 13 of 13

Ref #	Part Number	Qty	S/P/F	Description
1	734-1709-0662	1		Wheel Ass'y Complete 16 x 4.8
2	734-1530	1		Tire Only
3	734-0255	1	S	Air Valve
4	734-1708-0662	1	S	Rim Only
5	741-0401	2	S	Sleeve Bearing
6	714-0143	1	S	Klick Pin